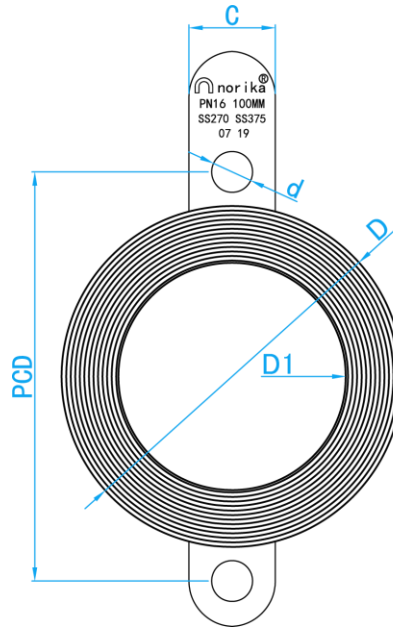
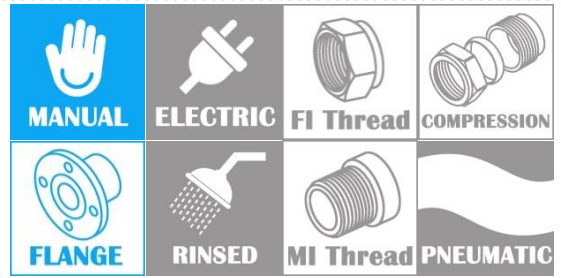


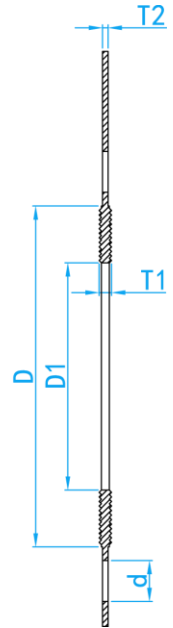
# DESIGNED EPDM FLAT RUBBER GASKET WITH 2 ALIGNMENT BOLT HOLE PN16 (FOR POTABLE WATER)

COMPLY WITH SS270:2015  
SS375:2015

- COMPATIBLE WITH BS4504 PN16 FLANGES



TOP VIEW



CROSS SECTIONAL VIEW

## STANDARD SPECIFICATIONS

MATERIAL	EPDM
RUBBER HARDNESS	66-75
OPERATING TEMPERATURE	-15~+85°C

## DIMENSIONS

SKU	SIZE (mm)	D1 (mm)	PCD (mm)	Nos OF HOLES	d (mm)	D (mm)	T1 (mm)	T2 (mm)	WEIGHT (kg)	PCS/CTN
RFGN050-PUB	50	50	125	2	18	94	4.4	2.2	0.038	250
RFGN065-PUB	65	65	145	2	18	113	4.4	2.2	0.050	200
RFGN080-PUB	80	80	160	2	18	130	5.5	2.5	0.080	200
RFGN100-PUB	100	100	180	2	18	150	5.5	2.5	0.090	150
RFGN150-PUB	150	150	240	2	22	214	6.0	2.5	0.155	100
RFGN200-PUB	200	200	295	2	22	264	7.2	4.5	0.250	35
RFGN250-PUB	250	250	355	2	26	314	7.2	4.5	0.320	35
RFGN300-PUB	300	300	410	2	26	362	7.2	4.5	0.380	25